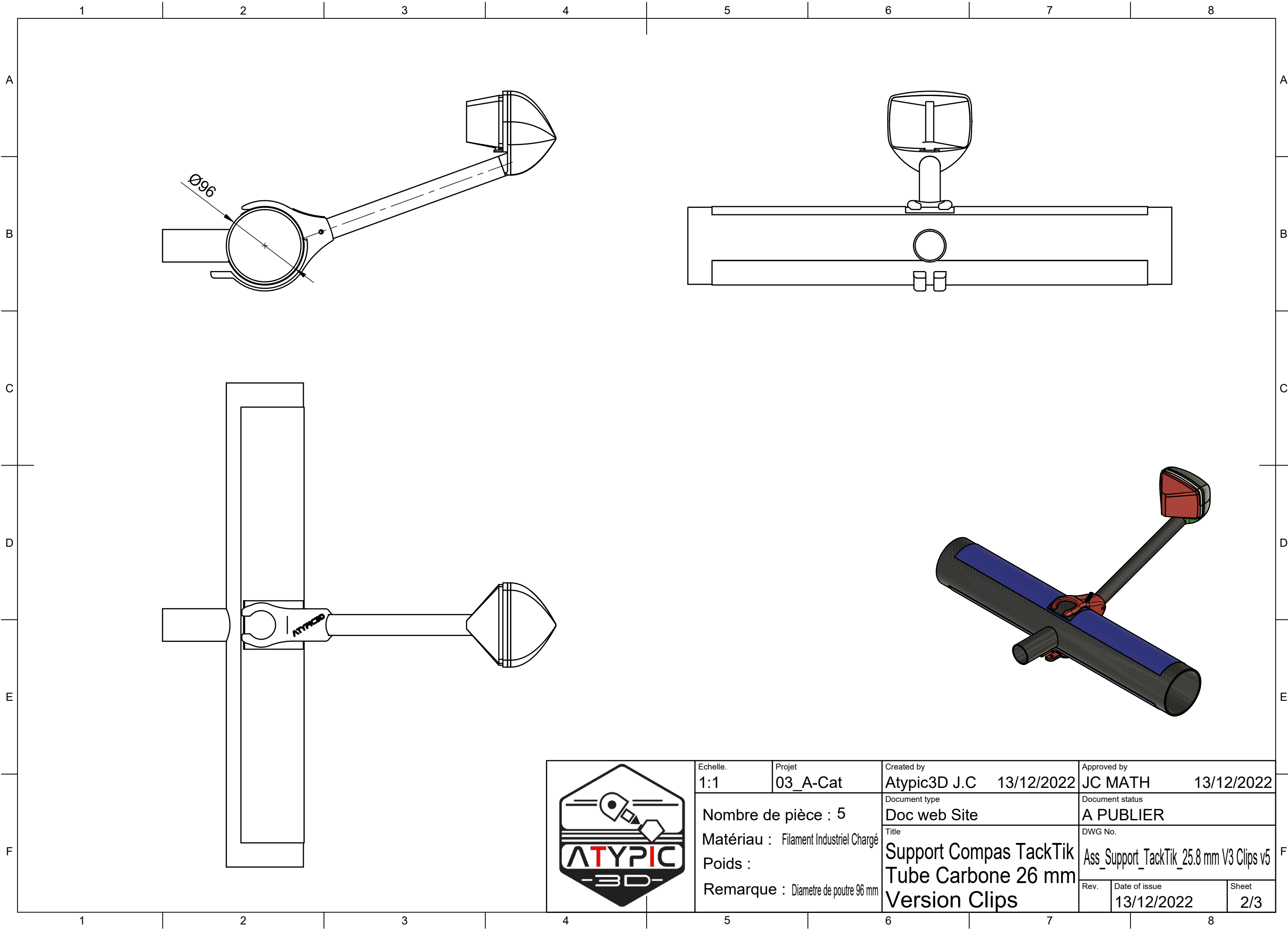


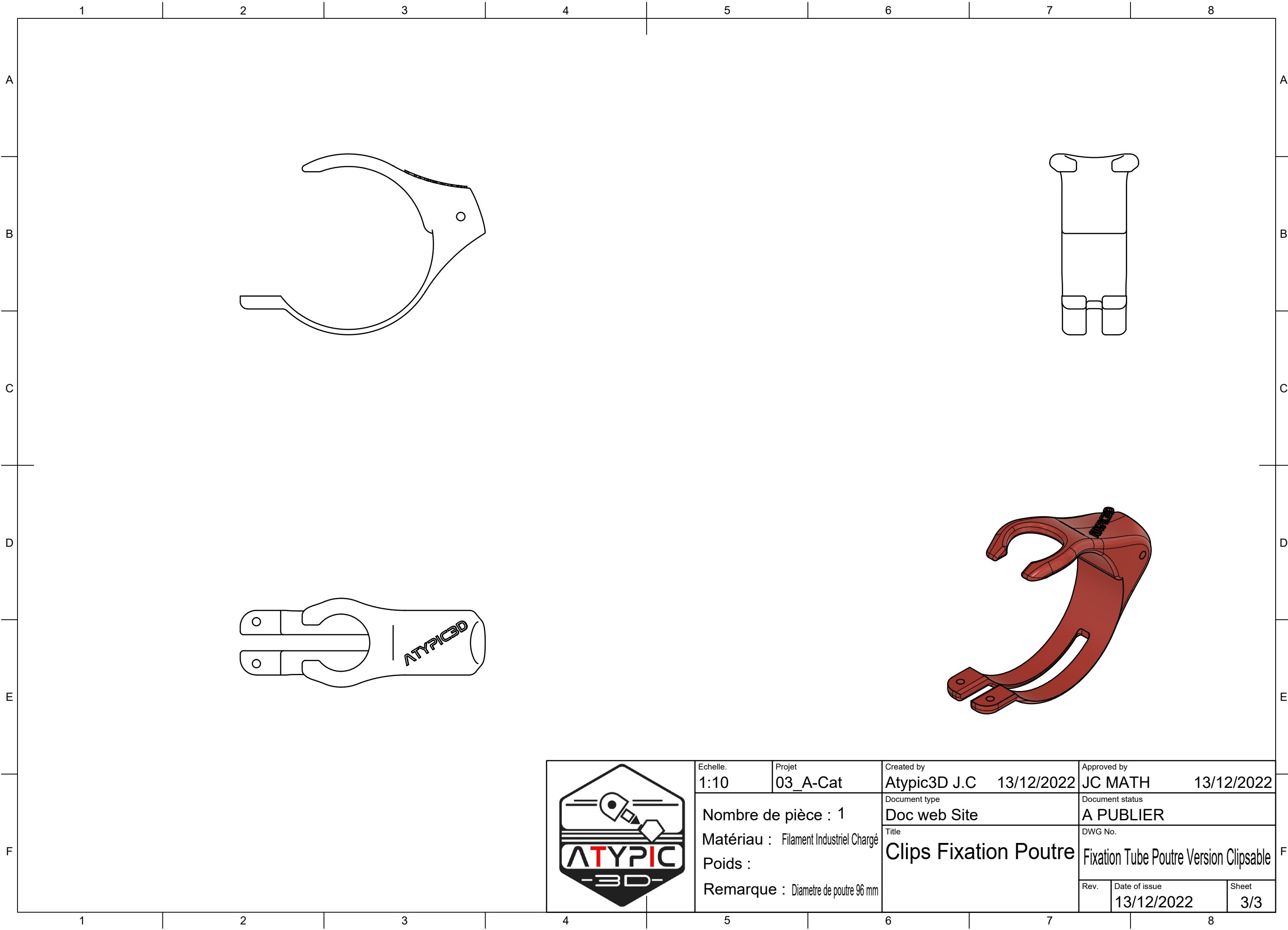
| Liste de composants | | |
|---------------------|-----|----------------------------------------|
| élément | qté | numéro de pièce |
| 2 | 1 | Fixation Tube Poutre Version Clipsable |
| 3 | 1 | Tube Carbone 25.8 mm |
| 4 | 1 | Support TackTick au Tube Carbone |
| 5 | 1 | Support Amovible TackTick |
| 6 | 1 | Micro Compas TackTick |
| 7 | 1 | Capot Avant |



| | | | |
|---------------------------------------|--------------------|------------------------------------------------------------------------|-----------------------------------|
| Echelle. 1:1 | Projet 03_A-Cat | Created by Atypic3D J.C 13/12/2022 | Approved by JC MATH 13/12/2022 |
| Nombre de pièce : 5 | | Document type Doc web Site | Document status A PUBLIER |
| Matériau : Filament Industriel Chargé | | Title Support Compas TackTik Tube Carbone 26 mm Version Clips | |
| Poids : | | DWG No. Ass_Support_TackTik_25.8 mm V3 Clips v5 | |
| Remarque : Diametre de poutre 96 mm | | Rev. | Date of issue 13/12/2022 |
| | | Sheet 1/3 | |



| | | | |
|---------------------------------------|--------------------|----------------------------------------------------|-----------------------------------|
| Echelle. 1:1 | Projet 03_A-Cat | Created by Atypic3D J.C 13/12/2022 | Approved by JC MATH 13/12/2022 |
| Nombre de pièce : 5 | | Document type Doc web Site | Document status A PUBLIER |
| Matériau : Filament Industriel Chargé | | DWG No. Ass_Support_TackTik_25.8 mm V3 Clips v5 | |
| Poids : | | Rev. | |
| Remarque : Diametre de poutre 96 mm | | Date of issue 13/12/2022 | |
| | | Sheet 2/3 | |



| | | | |
|---------------------------------------|--------------------|---------------------------------------|---------------------------------------------------|
| Echelle. 1:10 | Projet 03_A-Cat | Created by Atypic3D J.C 13/12/2022 | Approved by JC MATH 13/12/2022 |
| Nombre de pièce : 1 | | Document type Doc web Site | Document status A PUBLIER |
| Matériau : Filament Industriel Chargé | | Title Clips Fixation Poutre | DWG No. Fixation Tube Poutre Version Clipsable |
| Poids : | | | Rev. |
| Remarque : Diametre de poutre 96 mm | | | Sheet 3/3 |